

DINITROL PRODUCTS

BUS APPLICATIONS



DINITROL PRODUCTS

BUS APPLICATIONS



1 Side Wall Bonding

DINITROL 515 A/B	2-component	PU	black
DINITROL F 500 LP	1-component	PU	black
DINITROL 760	1-component	STP	white
DINITROL 771	1-component	MSP	black
DINITROL 771 A/B	2-component	MSP	black



2 Floor Panel Bonding

DINITROL 515 A/B	2-component	PU	black
DINITROL 517 A/B	2-component	PU	beige
DINITROL F 500 LP	1-component	PU	black
DINITROL 771	1-component	MSP	black
DINITROL 771 A/B	2-component	MSP	black
DINITROL 760	1-component	STP	black



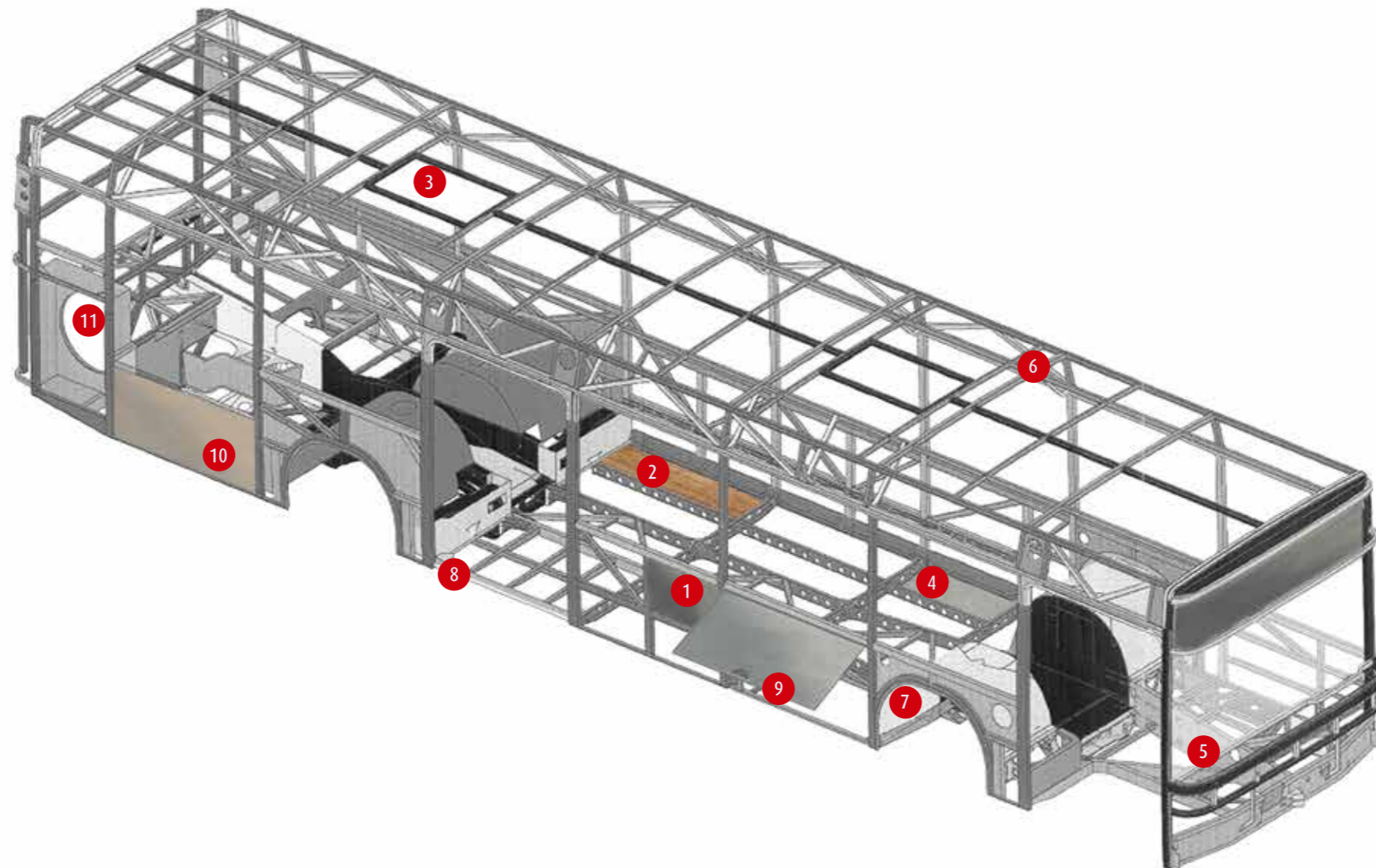
3 Roof Bonding

DINITROL 600	1-component	PU	white
DINITROL 615 A/B	2-component	PU	white
DINITROL 771	1-component	MSP	black
DINITROL 771 A/B	2-component	MSP	black



4 Floor Covering Bonding

DINITROL 453 IQ	1-component	water borne	white - transparent after drying
DINITROL 454 IQ	1-component	water borne	beige
DINITROL 700	1-component	MSP	grey, black



5 Glass Bonding

DINITROL F 500 LP	1-component	PU	black
DINITROL 516 A/B	2-component	PU	black
DINITROL 771	1-component	MSP	black
DINITROL 771 A/B	2-component	MSP	black



6 Skeleton Sealing

DINITROL 705	1-component	MSP	white
DINITROL 755	1-component	STP	white, grey, black



7 Underbody Coating

DINITROL 429 IQ	water borne	black
DINITROL 4942 IQ	solvent borne	brown



11 Engine Compartment

DINITROL 964	water borne	transparent
DINITROL 4010	solvent borne	transparent



10 Putties

DINITROL 6050 PLUS	putty	yellow-brown
DINITROL 6055 IQ	solvent	clear
DINITROL 6064 IQ	hardener	red



9 Sound Damping

DINITROL 956 IQ	water borne	grey
DINITROL 957 IQ	water borne	black



8 Cavity Wax

DINITROL 507 IQ	water borne	beige
DINITROL 3650 IQ	solvent borne	beige

MSP = MS-Polymer, STP = ST-Polymer, PU = Polyurethane

Perfect application results always depend on the quality of processing and the composition of the product system and must be inspected on-site beforehand.

